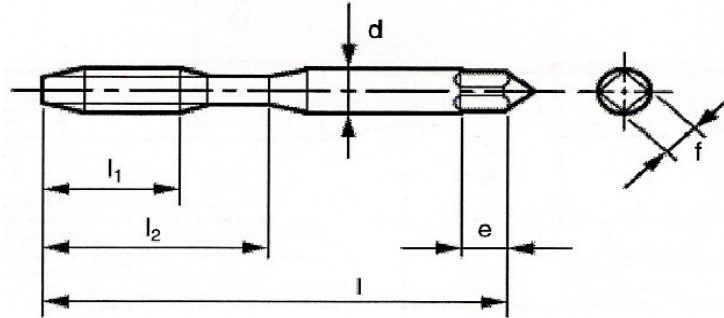


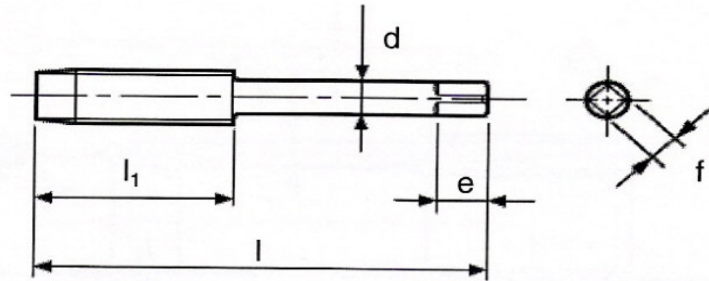
## ISO TAP BLANK DIMENSIONS UP TO 1" THREAD DIAMETER

**NOTE:-  
PLEASE ENQUIRE FOR  
TAPS UNDER 3mm**



THREAD DIAMETER		NUMBER OF FLUTES								
METRIC (mm)	IMPERIAL (inch)	OVERALL LENGTH (l)	THREAD LENGTH (l <sub>1</sub> )	SHANK DIAMETER (d)	NECK (l-l <sub>1</sub> )	SQUARE LENGTH (e)	SQUARE A/F	STRAIGHT FLUTE	SPIRAL POINT	SPIRAL FLUTE
3.00	1/8"	48	11	3.15	7	5	2.50	3	2	3
3.50		50	13	3.55	7	5	2.80	3	2	3
4.00	5/32"	53	13	4.00	8	6	3.15	3	3	3
4.50		53	13	4.50	8	6	3.55	3	3	3
5.00	3/16"	58	16	5.00	9	7	4.00	3	3	3
5.60	7/32"	62	17	5.60	9	7	4.50	3	3	3
6.35	1/4"	66	19	6.30	11	8	5.00	3	3	3
7.20		66	19	7.10	11	8	5.6	4	3	3
8.00	5/16"	72	22	8.00	13	9	6.30	4	3	3
9.00	11/16"	72	22	9.00	14	10	7.10	4	3	3
10.00	3/8"	80	24	10.00	18	11	8.00	4	3	3
10.60	13/32"	84	24	7.10		8	5.60	4	3	3
11.20	7/16"	85	25	8.00		9	6.30	4	3	3
13.00	1/2"	89	29	9.00		10	7.10	4	3	3
15.00	9/16"	95	30	11.20		12	9.00	4	3	3
17.00	5/8"	102	32	12.50		13	10.00	4	3	3
21.00	13/16"	112	37	14.00		14	11.20	4	3	3
22.00	7/8"	118	38	16.00		16	12.50	4	3	4
25.40	1"	130	45	18.00		18	14.00	4	3	4

## ISO TAP BLANK DIMENSIONS OVER 1" THREAD DIAMETER



THREAD DIAMETER						NUMBER OF FLUTES					
METRIC (mm)	IMPERIAL (inch")	COARSE PITCH		FINE PITCH		SHANK DIAMETER (d)	SQUARE LENGTH (e)	SQUARE A/F	STRAIGHT FLUTE	SPIRAL POINT	SPIRAL FLUTE
		l	l <sub>1</sub>	l	l <sub>1</sub>						
27.0	1.1/16	135	45	127	37	20.0	20	16.0	4	4	4
30.0	1.1/8	138	48	127	37	20.0	20	16.0	4	4	4
33.3	1.5/16	151	51	137	37	22.4	22	18.0	4/6	4	4
36.5	1.7/16	162	57	144	39	25.0	24	20.0	4/6	4	4
42.5	1.5/8	170	60	149	39	28.0	26	22.4	6	4	4
50.0		187	67	165	45	31.5	28	25.0	6	4	6
54.0	2.1/8	200	70	175	45	35.5	31	28.0	6		
61.9	2.7/16	221	76	193	48	40.0	34	31.5	6		
66.6	2.5/8	224	79	193	48	40.0	34	31.5	6		
73.0	2.7/8	234	79	203	48	45.0	38	35.5	6		
79.3	3.1/8	258	83	226	51	50.0	42	40.0	6		
88.9	3.1/2	261	86	226	51	50.0	42	40.0	6		
101.6	4"	279	89	244	54	56.0	46	45.0	8		

**PLEASE ENQUIRE FOR BIGGER DIAMETERS**