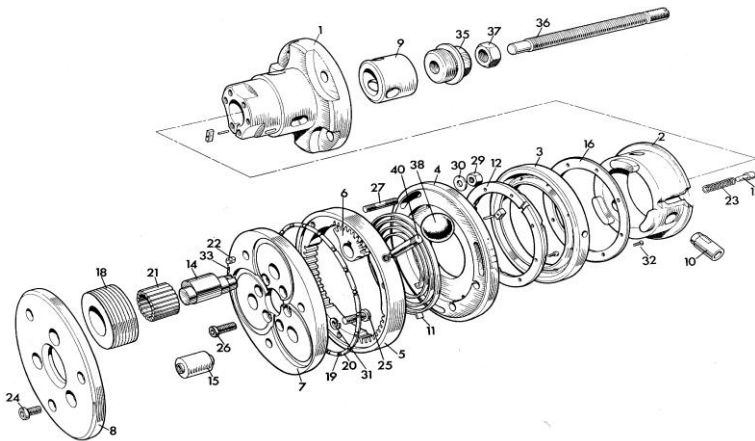


PARTS FOR ALCO A4R - A6R HEADS

PART	DESIGNATION	QTY/HEAD	A4R	A45R	A5R	A6R
1	FLANGE	1	£1,315.44	£1,402.87	£1,836.92	£3,042.09
2	BUSH	1	£270.43	£306.25	£413.37	£631.39
3	STOP RING	1	£155.93	£100.96	£214.54	£305.11
4	SPRING HOUSING	1	£679.67	£727.22	£1,039.16	£1,573.20
5	GEAR RING	1	£522.12	£462.97	£799.01	£1,207.32
6	GEAR SEGMENT	SET(3)	£364.66	£392.67	£480.04	£727.31
7	BACKPLATE	1	£1,071.49	£928.23	£1,420.33	£2,470.76
7a	BUSH	SET(3)			£658.20	£1,064.04
8	FRONT PLATE	1	£928.54	£1,138.23	£1,421.03	£2,182.17
9	STOP BUSH	1	£151.57	£134.34	£154.93	£176.92
10	PIN	SET(3)	£281.50	£285.44	£469.43	£654.42
11	SPRING	1	£65.27	£59.50	£85.20	£125.76
12	BRAKE RING	1	£123.44	£131.76	£165.66	£248.10
13	PIN	SET(4)	£29.19	£27.90	£44.38	£56.19
14	ECCENTRIC PINS	SET(3)	£330.56	£7.00	£502.52	£1,339.01
15	COLUMN	SET(3)	£93.10	£73.40	£126.25	£185.13
16	BRONZE RING	1	£85.20	£85.53	£95.89	£167.44
19/20	BEARING	1	£20.26	£20.26	£37.64	£53.29
21	NEEDLE BEARINGS	SET(57)	£120.89	£84.83	£161.73	£239.25
22	KEY	SET(3)	£8.10	£7.60	£13.94	£22.28
23	SPRING	SET(4)	£11.13	£12.40	£16.72	£38.96
24	SCREW	SET(3)	£10.53	£11.94	£15.21	£19.49
25/31	SCREW/WASHER	SET(3)	£16.72	£18.33	£26.60	£22.28
26	SCREW	SET(6)	£8.10	£8.10	£13.30	£19.40
27	STUD	SET(3)	£20.26	£20.26	£28.11	£43.68
28	SCREW	SET(8)	£10.12	£10.12	£11.13	£19.49
29/30	NUT/WASHER	SET(3)	£31.25	£19.53	£31.25	£55.71
32	SCREW	SET(8)	£7.99	£7.99	£8.36	£16.72
33	PIN	SET(3)	£10.12	£10.12	£12.66	£20.26
34	LOCATING PIN	SET(3)	£7.99	£7.60	£8.73	£17.08
35/36/37	STOP ASSEMBLY	1	£201.39	£164.24	£162.86	£311.38
38	KNOB	1	£11.13	£11.13	£30.66	£33.41
40	SHAFT	1	£33.41	£35.82	£41.02	£63.06
41	LOCATING PIN	1	£7.60	£7.60	£12.27	£22.28
42	KEY	SET(2)	£7.60	£7.60	£12.27	£22.67
43	PIN	SET(2)	£6.08	£7.60	£8.87	£10.64
44	WASHER	SET(6)	£25.07	£25.33	£40.78	£50.52
45	PIN	SET(3)			£46.84	£56.58
46	PIN	SET(3)			£46.84	£56.58
47	THRUST BRG/WASHER	SET(3)		£96.88		



Wiseman Threading Tools Ltd, 11 Padgets Lane South Moons Moat, Redditch B98 0RA UK
 Tel 0044(0)1527 520580 Fax 0044(0)1527 520280 www.threadtools.com sales@threadtools.com

February 2016